



L SERIES

Cabinet Locks

STANLEY[®]
Security Solutions

TABLE OF CONTENTS			
L Series		Page	P Series
3L Features/specifications.....		2	2P Features/specifications.....
3L How to Order.....		2	2S Functions/spec's/ How to Order.....
5L Latchbolt specifications/mounting positions.....		3	3S Features/spec's/ How to Order.....
5L Deadbolt mounting positions/strikes.....		4	Service Equipment 10
5L How to Order.....		4	Patented Keying System.....
8L Features/specifications.....		5	
E Series			
1E Features/spec's/ How to Order.....		5	
5E Features/spec's/ How to Order.....		6	

3L SERIES DEADBOLT

Operation—Deadbolt locked and unlocked by key. Must be locked by key after door is closed. Key may be withdrawn in locked position and unlocked position.

Specifications

- Material**— Bolt is stainless steel, springs are phosphor bronze, all other parts are brass.
- Backset**— 7/8"
- Bolt**— 1 1/8" x 3/16" — 3/4" throw
- Case**— Height 1 21/32", width 2 1/8", thickness 21/32", hole spacing 1 39/64" x 1 1/4"
- Cylinder diameter**— 1 1/8"
- Cylinder length**— 7-pin tumbler, 1 13/64"
- Finish**— Base finish 606 unless otherwise specified.
- Keeper plate**— None supplied.



3L7RD2
(Vertical Only)

Products protected by one or more of the following patents:

U.S.:			Canada:
4531390	4531389	4633690	1229234
4663839	4075878	4616394	
4055973	4768360	D290085	
4722204	4843852	5590555	
5794472			

HOW TO ORDER — 3L

3L	7	R	D	2	606	Std.
Series	Core	Mounting Housing	Latch Type	Hand Type	Standard Finish	Cylinder Length
3L— coin box lock	7— 7 pin housing accepts all Best cores	R— rim	D— deadbolt	2— vertical	606 612 626 (cylinder only)	Standard 1 1/2" 2"

Specifications

- Latchbolt function**– Retracted by key to unlock. Key may be withdrawn only in locked position
- Deadbolt function**– Locked and unlocked by key. Must be locked by key after door is closed. Key may be withdrawn in locked position and unlocked position
- Backset**– 7/8"
- Body thickness**– 1/2"
- Case**– Length 2 1/8", width 2 19/32", thickness 2 1/32", hole spacing 2 3/16"
- Cylinder diameter**– 1 1/8"
- Cylinder length**– 1 1/16"
- Deadbolt**– 3/4" x 25/64" – 1/2" throw
- Door thickness**– 5/8" minimum for rim type, 2 1/32" minimum for mortise type.
- Face**– 1 7/8" x 2 1/32"
- Latchbolt**– 3/4" x 25/64" – 9/32" throw
- Material**– Nickel plated zinc case and bolts, stainless steel cover, phosphor bronze spring.
- Strike plate**– 3/64" x 1 1/16" x 1 7/8", hole spacing 1 7/16", 1 1/4" wide lip.
- T-Option**– Key is removeable only in locked position. (Deadbolt Only)

5L SERIES LATCHBOLT

Mounting Positions



Rim (Vertical Mounting)



Mortise (Vertical Mounting)



Left-hand (Vertical Mounting)



Inverted

5L continued next page

5L SERIES — DEADBOLT

Mounting Positions



Rim
(Vertical Mounting)



Mortise
(Vertical Mounting)



Left-hand
(Vertical Mounting)



Inverted

5L STRIKES

Strike plate specification: $\frac{3}{4}$ " x $\frac{1}{16}$ " x $1 \frac{7}{16}$ "; hole spacing $1 \frac{7}{16}$ "



A-450 Standard strike
A00450 supplied unless
otherwise specified



A-451
A00451



A-452
A00452



A-453
A00453

HOW TO ORDER — 5L

5L	7	R	D	2	606	
Series	Core	Mounting Housing	Latch Type	Hand	Standard Finish	Options
5L	7-7 pin housing accepts all Best cores	M- mortise R- rim	D- deadbolt L- latchbolt	2- vertical 5- inverted	606 612 626 (cylinder only)	T- deadlock (deadbolt only) TR- special trim ring

8L SERIES — MAIL BOX LOCKS

The 8L7SPR mailbox lock features the convenience of the interchangeable core, allowing quick combination change, and is adaptable to a number of different mailbox manufacturers. The 8L7SPR can be masterkeyed into any existing BEST® system. Variations are available for adaptation purposes.

To order: Specify mail box manufacturer and style number, and/or send sample of mail box door.

Specifications

Housing— Steel, zinc plated.

Cylinder— Machined from solid aluminum.

Cylinder head diameter— 1 1/8".

Latchbolt— 9/32" square with bevel.

Handing— Right-hand standard — 8LSPR.

Finish— 627 standard.

Call product support for manufacturer model assistance 800-392-5209.



8L7SPR (Inside)

1E SERIES — SLABBED CABINET MORTISE CYLINDERS

The special cylinders are threaded to the head, mounted with a hex nut, and slabbed on both sides to prevent turning in the mounting hole.

Specifications

Length— 1ED7D4: 1 15/32" from head to cam.

1EE7E4 1 1/4" from head to cam.

Cylinder diameter— 1 5/32", 7/8" across flats.

Thread— 1.150 - 32 (NS - 2A).

Finish— 626 standard.







1ED7D4

Direct motion cam prevents key from being withdrawn in unlocked position. Reversible cam may be assembled for required hand at installation.



1EE7E4

270° lost motion cam permits key to be withdrawn when locked or unlocked.

RP Standard Ring Package	RP1 Ring Package	RP2 Ring Package	RP3 Ring Package
The RP standard ring package includes a 1E-R3 (3/16") and 1E-R5 (3/8") ring.	The RP1 ring package for the 1E-76 cylinder includes a 1E-R2 (1/8") and 1E-R3 (3/16") ring.	The RP2 ring package for the 1E-64 cylinder includes a 1E-R2 (1/8") and 1E-R4 (1/4") ring.	The RP3 ring package for the 1E-62, 1E-72 and 1E-74 cylinders includes a 1E-R2 (1/8") and a 1E-R5 (3/8")
			
1E-R3— 3/16" 1E-R5 — 3/8"	1E-R2 — 2/8" 1E-R3 — 3/16"	1E-R2 — 2/8" 1E-R4 — 1/4"	1E-R2 — 1/8" 1E-R5 — 3/8"

Note: RP5 includes — 1ER2, 1ER4 & 1ER5

HOW TO ORDER — 1E

1E	7	E4	RP3	626
Cylinder Diameter	Core Housing	Function Code	Rings	Finishes
1ED— 1 5/32" 1EE— 1 1/2"	7— 7 pin housing accepts all Best cores	D4— direct motion E4— lost motion	RP— 3/16" and 3/8" RP1— 1/8" and 3/16" RP2— 1/8" and 1/4" RP3— 1/8", 1/4" and 3/8"	605 606 612 613 625 626

5E SERIES 3/4" UTILITY CYLINDER

5E Specifications:

5E6 – Series

"A" (Body length)– $\frac{31}{32}$ " , Body diameter– $\frac{3}{4}$ " , Body– 6 pin, Head diameter– $\frac{7}{8}$ " , Finish – 626,
 "B" (Max. mounting thickness)– $\frac{11}{16}$ "

5E7 - Series

"A" (Body length)– 1 1/8" , Body diameter– $\frac{3}{4}$ " , Body– 7 pin, Head diameter– $\frac{7}{8}$ " , Finish– 626,
 "B" (Max. mounting thickness) – $\frac{27}{32}$ "

Standard 5E Assembly unit includes:

Keyed $\frac{3}{4}$ " with cam (specify cam length - if length is not specified, the 5EC1 x $\frac{7}{8}$ " will be supplied as standard), hex nut, spacer collar (not supplied unless length is specified), and lock washer.



5E– Straight Cam

Application:

Fits standard $\frac{3}{4}$ " cylinder installations for e.g. desks, file cabinets, coin-operated vending machines, utility cabinets, storage cabinets, elevators, and security alarm control panels.

Material finish:

Solid extruded brass cylinder body, 626 finish standard.

Cam motion operation:

TYPE "A" - Standard 5E cylinder key rotates 360° right or left.

TYPE "B" - Limited motion cam operation 90° or 180° as required.

TYPE "C" - Lost motion cam operation 90°: Key removal with cam in locked or unlocked position.

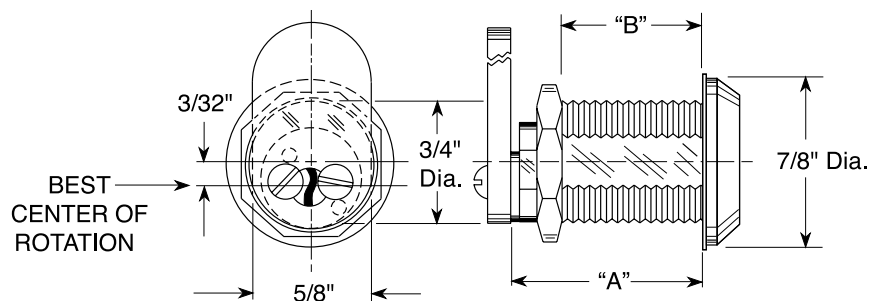
TYPE "D" - Throw member-type drive. Two throw pins engage key plug from rear of cylinder. (Direct 360° action-R or L.)

Throw member types available upon request.

Cam & Spacer Collar:

Cam variations are detailed in the cylinder catalog section and may be modified for use on the 5E cylinder. Standard cams are factory attached to key plug with screws. Spacer collars may be required to position the cam for proper lock operation. The spacer collar is installed between the 5E cylinder head and the mounting surface. Both straight collars and special tapered collars available by request.

To order: For more information see E series catalog section.



HOW TO ORDER – 5E

5E	7	A	1	2C	606	4B	21	12	R	90	626
Series Body	Lock	Keyway Code	Combination Code	Cam Motion	Ring Length	Cam	Cam Length	Mounting Position	Cam Direction	Degree of Rotation	Finish
5E– $\frac{3}{4}$ "	6– 6 pin 7– 7 pin cores	designate specific keyway (A, E, etc.)	1– uncombined 2– combined	A– direct B– limited C– lost D– throw member	R701– $\frac{1}{16}$ " R702– $\frac{1}{8}$ " R703– $\frac{3}{16}$ " R704– $\frac{1}{4}$ " R705– $\frac{5}{16}$ " R706– $\frac{3}{8}$ " R707– $\frac{7}{16}$ " R708– $\frac{1}{2}$ "	1–fixed straight 2A– fixed offset in 2B–fixed offset out 3–lost motion 4A–lost motion offset in 4B–lost motion offset out D–direct throw	10– $\frac{5}{8}$ " 12– $\frac{3}{4}$ " 14– $\frac{7}{8}$ " 16– 1" and so forth in $\frac{1}{16}$ of inch	3– 3 o'clock 6– 6 o'clock 9– 9 o'clock 12– 12 o'clock	R– right L– left	90– 90° 180– 180° 360– 360°	626– standard

2P SERIES PUSH LOCKS FOR FILE CABINETS

Specifications

Material– All parts are solid brass; phosphor bronze springs.

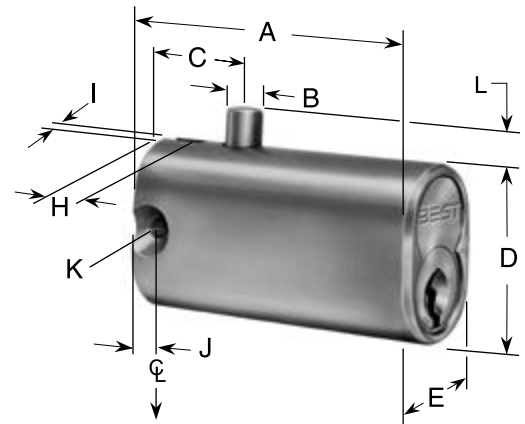
Dimensions– See illustrations and table below.

Finish– 2P Series 626 (satin chrome) standard finish.

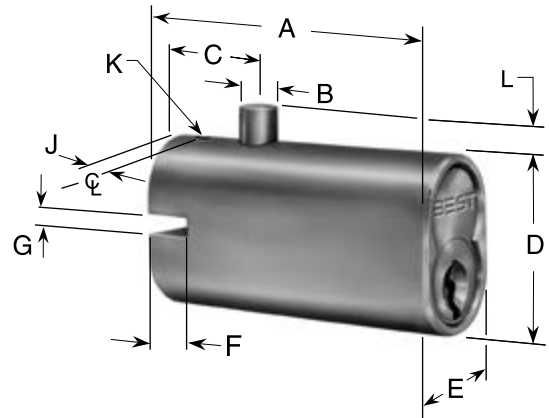
2P series finish to match satin chrome. (7 pin only).

The 2P series incorporates the BEST® interchangeable core and requires special cabinet preparation. It may be keyed individually, keyed alike, masterkeyed or grand-masterkeyed with other BEST® lock of any type.

To order: Specify proper lock, finish and keying instructions.



2P73 Vertical mounting slot



2P74 Horizontal mounting slot

2P SERIES SPECIFICATIONS

Dimensions in inches												
Vertical Mounting Slot												
	A	B	C	D	E	F	G	H	I	J	K	L
2P73 (7Barrell)	2 9/32"	1/4"	1 9/32"	1 1/8"	3/4"			5/16"	1/8"	5/32"	#6-32	5/32"
Horizontal Mounting Slot												
2P74 (7Barrell)	2 9/32"	1/4"	19/32"	1 1/8"	3/4"	5/16"	1/8"			5/32"	#6-32	5/32"

2S SERIES PUSH LOCKS FOR SLIDING DOORS

Specifications

Case— extruded brass.

Width— 1 1/2"

Thickness— 23/32"

Inside face plate— 2 3/4" x 7/8", hole spacing 2 3/16".

Detachable face plate— 1/16" x 1 1/8" x 2 3/4", hole spacing 2 3/16".

Strike— 2 3/4" x 1 1/8", 2 3/16" hole spacing.

Finish— 626 supplied unless otherwise specified.



**2S73 Surface Mounted
(BHMA E07161)**

FUNCTION CODE CHART

Function Code	Door	Bolt Thickness	Operation
3	7/8" dia. to 1 5/8"	19/32" dia. 1/2" throw	When unlocked, case of lock moves out through door stile and may be used as handle for moving door. To lock 2S73 and 2S74, push case in through door. Spring locking action. To lock 2S75, operate key and push case "IN" through door to engage bolt retaining pin behind strike plate in opposite door.
3 x TBM	7/8" to 1 5/8"	19/32" dia. 1/2" throw	
4 x TBM	7/8" to 1 5/8"	19/32" dia. 3/4" throw	
5 x TBM	3/4" to 1 5/8"	1/2" dia. x 7/16" bolt engagement. 1/8" locking pin	



**2S74 x TBM
Through-Bolt Mounted
(BHMA E07161)**

HOW TO ORDER 2S

2S	7	5	626	**
Series	Core Housing	Function Code	Standard Finish	
2S— push lock for sliding door accepts all BEST cores	7— 7 pin housing	see above	626	



**2S75 Surface Mounted with
retaining pin
(BHMA E07181)**

Must specify key mark and number of keys or designate L/C for less core.

3S SERIES SLIDING PANEL LOCKS

Specifications

Strike strap— stainless steel, 1/2" wide.

Locking housing— aluminum.

Finish— 627 aluminum only.

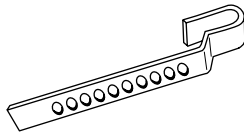
Operation— A stainless steel strap mounts permanently on the inner sliding panel. When panels are closed, the tongue of the strike strap extends beyond the edge of the outer panel. To lock panels, slide lock housing onto overlapping tongue and up against edge of outer panel. Lock by turn of key. Key is removable in locked position only.



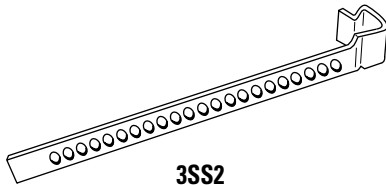
3S75



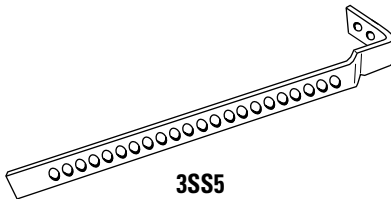
3S77



3SS1



3SS2



3SS5

SPECIFICATIONS

Strike strap	Length	Thickness
3SS1	4 1/4"	1/4"
3SS2	6 1/4"	7/32"
3SS3	6 1/4"	5/16"
3SS4	6 1/4"	13/32"
3SS5	6 1/4"	3/4"

HOW TO ORDER — 3S

3S	7	5	S2	627
Series	Core	Mounting Housing	Latch Type	Hand
3S— sliding panel lock	7— 7 pin housing accepts all Best cores	5— straight lock housing 7— captured panel lock 8— housing with 1" extension	S1— 4 1/4" x 1/4" S2— standard unless otherwise specified S3— 6 1/4" x 5/16" S4— 6 1/4" x 13/32" S5— 6 1/4" x 3/4"	627— standard

SERVICE EQUIPMENT

5ED253 Thread Tap

Matches standard 24 thread on 5E series cylinder locks.

To order specify: 5ED253 thread tap



5ED253– Thread Tap

5ED261 Capping Block

The capping process for single shearline 5E cylinders requires the following:

5E slide caps:

5ECP6– 6 pin

5ECP7– 7 pin

5E Cylinder:

5ED261 Capping Block

5ED262 Cap Depressor



**5ED261– 5E
Capping Block**

Service Equipment for 5E Cylinders (single shearline)

Best single shearline locks may be combined to Grand Master, Master and/or any operating combinations in your BEST system.

Utilizes the AD433 Key Combinator.

See (D Series) Service Equipment Catalog for details.

5ED250 Combinating Kit (single shearline)

Similar to standard CD431 kit for figure 8 cores, the single shearline kit provides a special 5ED261 capping block, springs (5ES1) and caps (5ECP)

To order specify:

5ED250 - 2 (for A2 system)

5ED250 - 3 (for A3 system)

5ED250 - 4 (for A4 system)

Pin Segments (included in kit)

Close tolerance segments assist in accurate combinating.

To order: Contact your local Best Representative.

Core Springs (included in kit)

This properly sized spring facilitates consistent action in all BEST figure 8 cores.

To order specify: 22S springs.

Core Caps (included in kit)

Barrels are securely sealed by applied core caps.

To order specify: 21C caps.



**5ED250– Combinating Kit
(single shearline)**

CORMAX™ PATENTED KEYING SYSTEM

BEST® CORMAX™ is the premier patented keying system offered by Stanley Security Solutions. CORMAX will meet your needs for security, key control, and convenience. A simple solution with no compromising allowed.

CORMAX is the upgrade path for existing BEST Standard, Premium, and MX8 customers; and it is an essential element of non-residential access control as security administrators strive to eliminate the unauthorized duplication of keys.

CORMAX offers the following features and benefits:

- A long-term US utility patent that guarantees the extended useful life of the system through 2027.
- A second, independent locking mechanism that utilizes a patented set of built-in side pins to provide higher security.
- Several levels of geographical exclusivity, including national exclusivity, are available via the patented side pin feature.
- CORMAX cores and keys are available exclusively through Stanley sales offices. Key blanks are only sold to individuals authorized by the customer to ensure key blanks do not end up in the possession of unauthorized personnel either inside or outside the customer's facility.
- CORMAX cores are certified to meet the security, safety, and reliability requirements of BHMA A156.5 Grade 1.
- Picking and drilling resistance options are available if higher levels of security are desired.
- Complete factory masterkeying service offered, and at no charge with purchase of BEST locksets and PHI exit devices.
- Keyways are organized in families of four keyways each, with double-milled and quad-milled key levels to facilitate the design of masterkey systems in multi-building campuses.
- BEST CORMAX cores are compatible with all existing BEST interchangeable core housings, eliminating the need for new or modified locksets.



CORMAX™
Patented Keying System



Stanley Security Solutions, a business division of Stanley Black & Decker, is a provider of integrated access control and security solutions for institutional, commercial and industrial businesses and organizations. Stanley Security Solutions delivers a comprehensive suite of security products, software and integrated systems with a strong emphasis on service. Stanley Security Solutions is committed to extending its position as a leading comprehensive resource for a broad and extensive array of solutions that span the entire security spectrum.